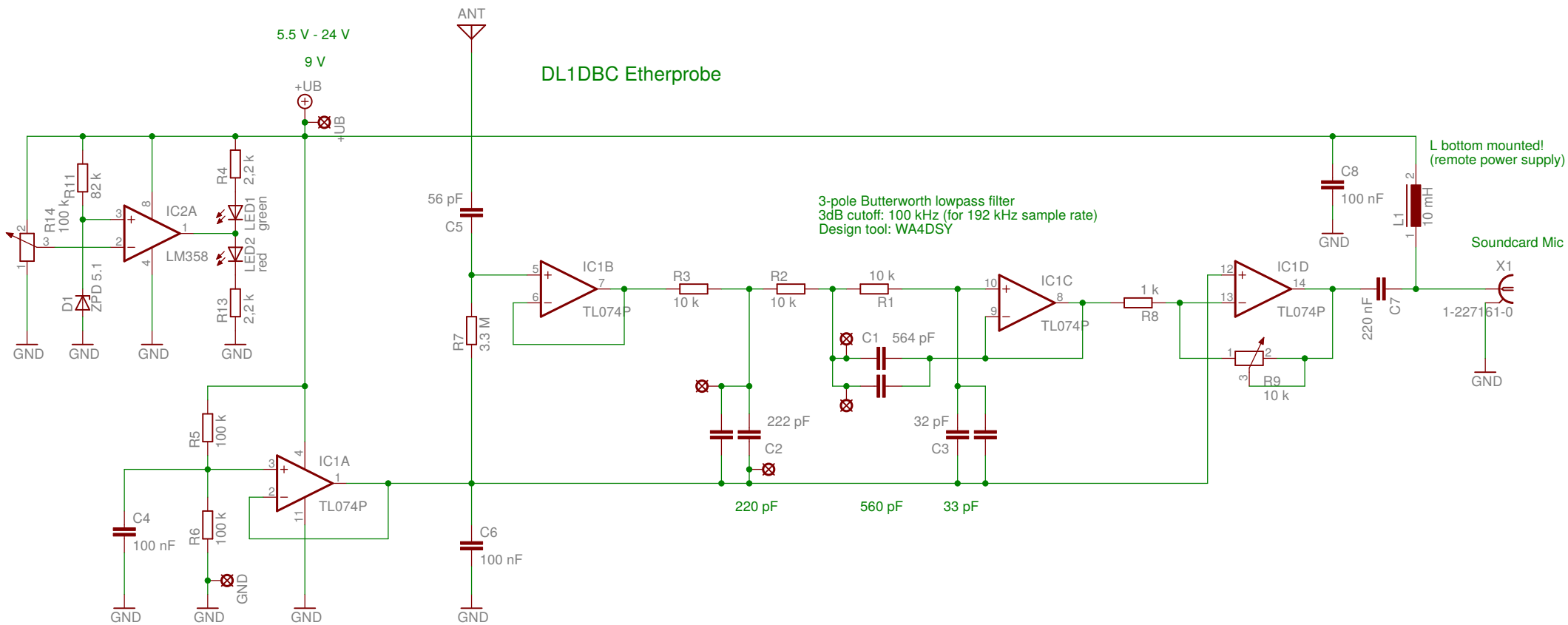


DL1DBC Etherprobe



L bottom mounted!
(remote power supply)

3-pole Butterworth lowpass filter
3dB cutoff: 100 kHz (for 192 kHz sample rate)
Design tool: WA4DSY

Soundcard Mic